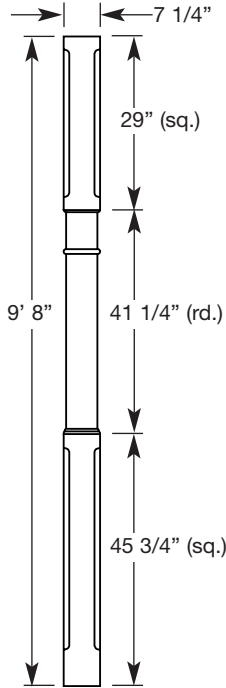




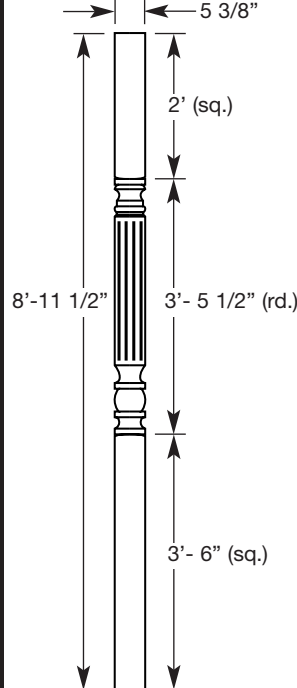
PORCH POSTS AND COLUMNS

Porch Posts are manufactured by molding high-density urethane around a 4 1/2" steel pipe.



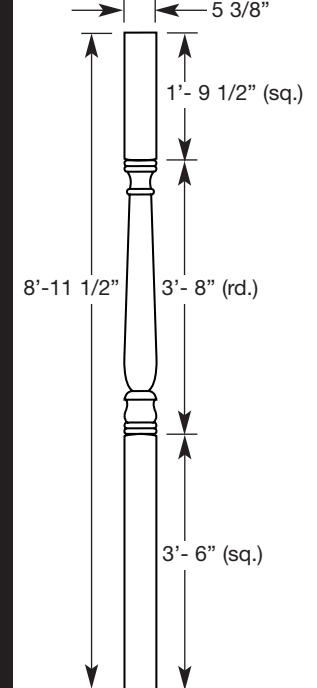
258-100-9 Porch Post

Ht.: 9'-8" W.: 7 1/4"sq.



258-200-9 Porch Post

Ht.: 8'-11 1/2" W.: 5 3/8"sq.



258-300-9 Porch Post

Ht.: 8'-11 1/2" W.: 5 3/8"sq.



258-500-8 Rd. Tapered Column

Height: 96"

258-500-9 Rd. Tapered Column

Height: 108"

Can be ordered with Cap & Base. Call for details.



Adjustable Base
Height: 15 1/2"
Width: 10 1/2" sq.

Column can be cut to desired height. Adjustable base slips over bottom of column.



259-200 Base

Inside Width: 5 1/2" sq.

Outside Width: 8" sq.

Height: 1 1/2"

Base slides over top and bottom of Item Nos. 28-200-9 & 28-300-9.



258-400-8 Plain Panel Box Col. w/Base

Column Height.: 96"

Top Proj.: 10 1/4" sq.

Shaft: 8" sq.

258-400-9 Plain Panel Box Col. w/Base

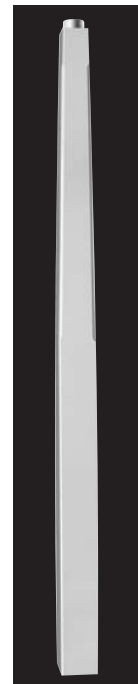
Column Height.: 108"

Top Proj.: 10 1/4" sq.

Shaft: 8" sq.

Fits over any structural column with a width of 5 5/8" sq. or less.

THIS COLUMN IS NOT STRUCTURAL



258-900-8 2 Pc. Col. Shell

Height: 107 1/4" sq.

Width: 8" sq.

Inside Width: 5 3/4" sq.

258-600-8 Lamp Post

Height: 93 3/8"

Width: 5 1/2" sq.

porch posts & columns